
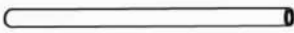


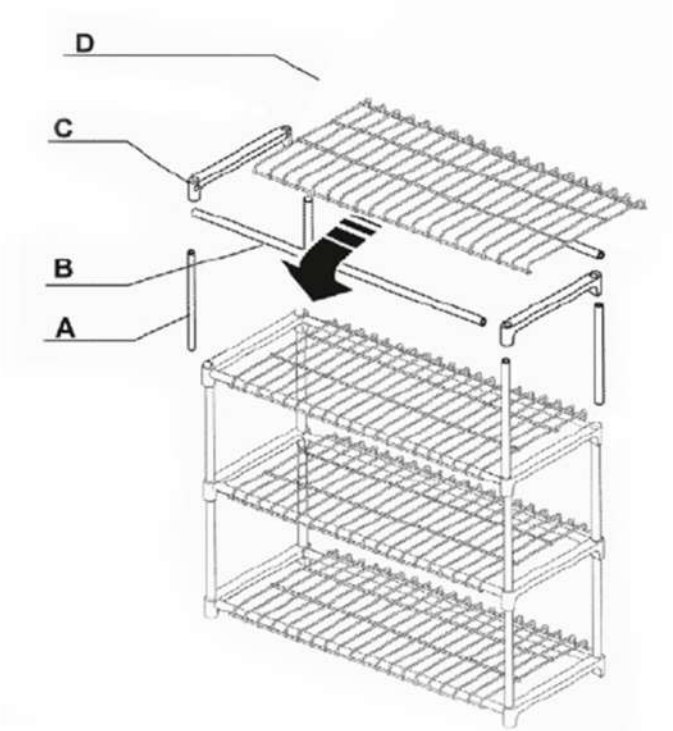


FORMAN

A		12
B		8
C		8
D		4

1.



2.

